



# ROLLING ON WITH DELKOR RAIL

Quality Rolling Stock Products & Solutions



[www.delkorrail.com](http://www.delkorrail.com)





# CONTENTS

About Delkor Rail	3
Primary and Secondary Suspension Components	4
Bogie Components	5
Air Spring Refurbishment	6
Capabilities	7







# About Delkor Rail

Working with our global partners, Zhuzhou Times New Material Technology Co. Ltd (TMT), Delkor Rail supply a comprehensive range of high quality primary and secondary suspension components and bogie components to customers around the world.



*With over 40 years of experience, Delkor Rail specialise in production, sales & service, research & development across the following fields:*

- Rolling stock suspension components
- Various polymer compounds
- Anti-vibration and noise-absorption components
- Air spring refurbishment program (Sydney based)



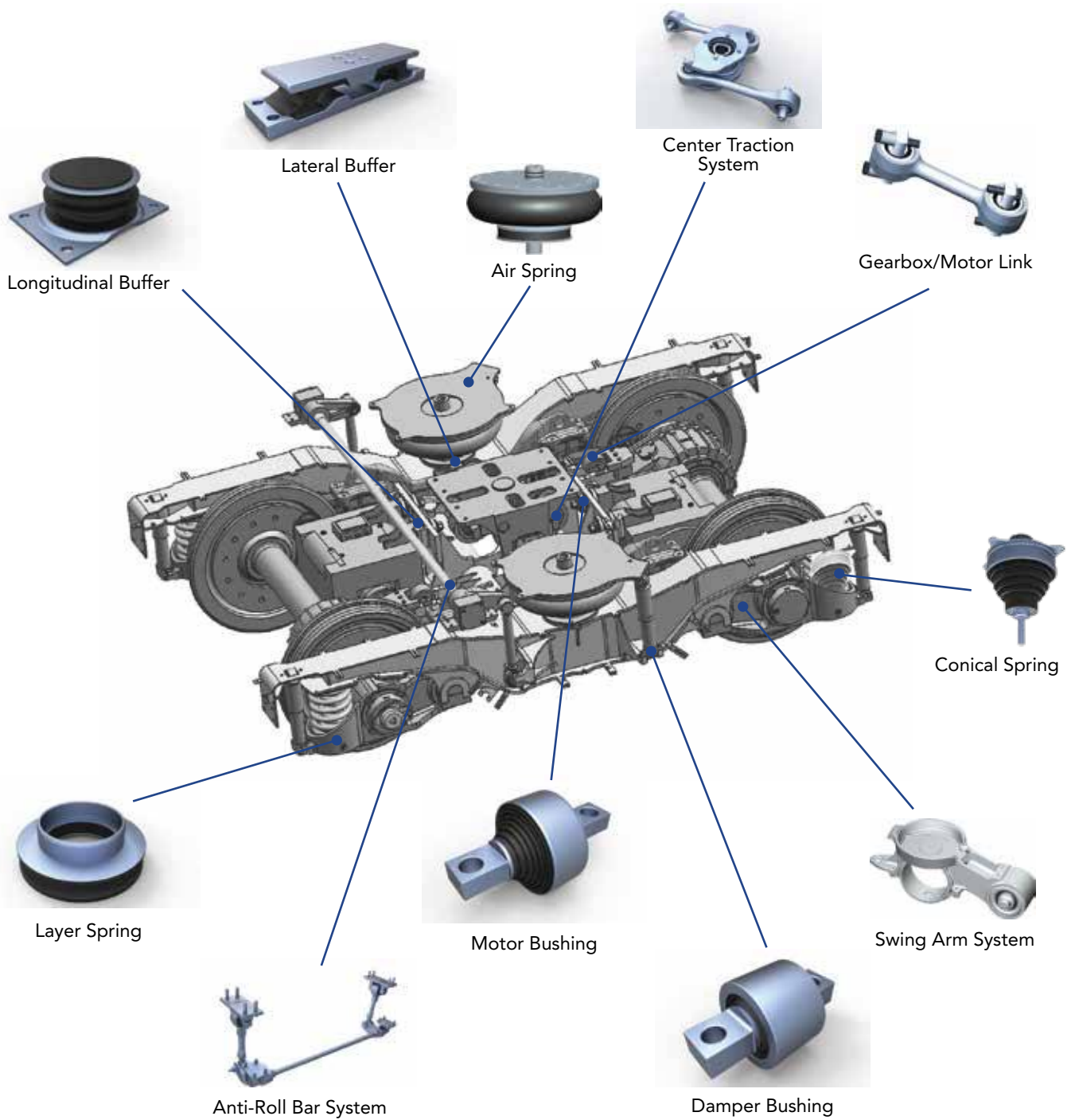
TMT products have been successfully applied to mainline locomotives, passenger cars, freight cars, and LRV's across Australia, Europe, North America and South-East Asia.

Delkor Rail is certified to ISO 9001 Quality Standards, and TMT is certified to ISO9001 and TS16949 standards.

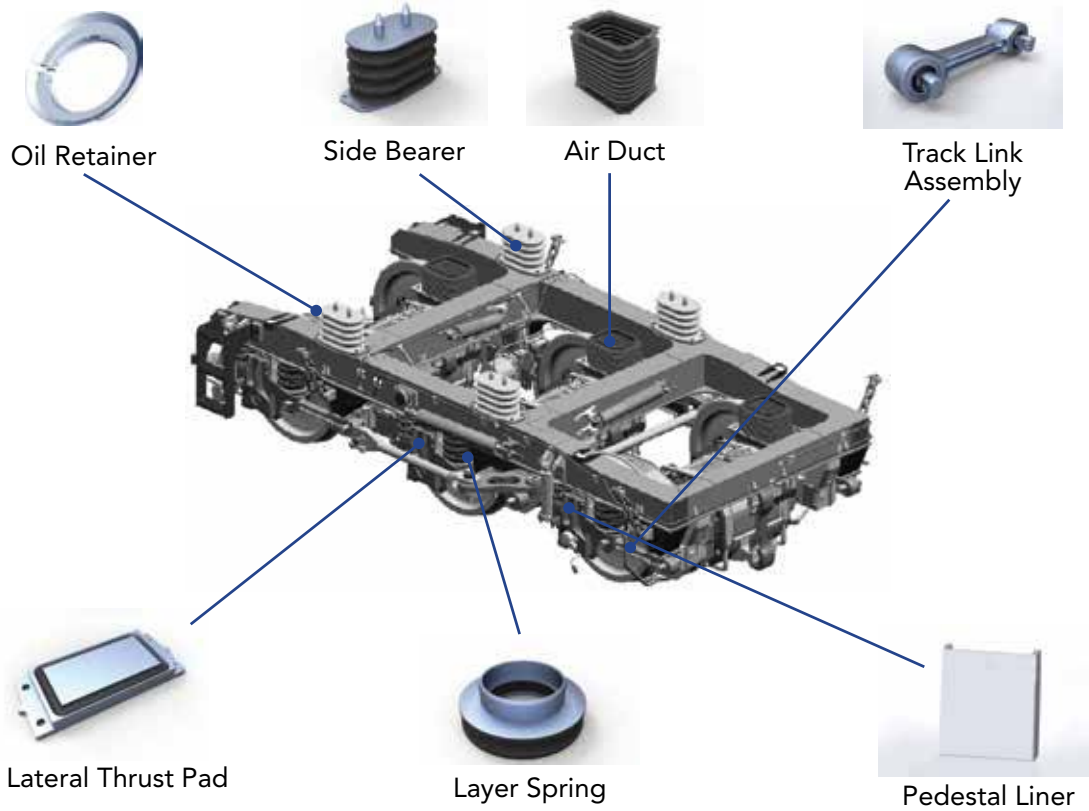
**TMT**



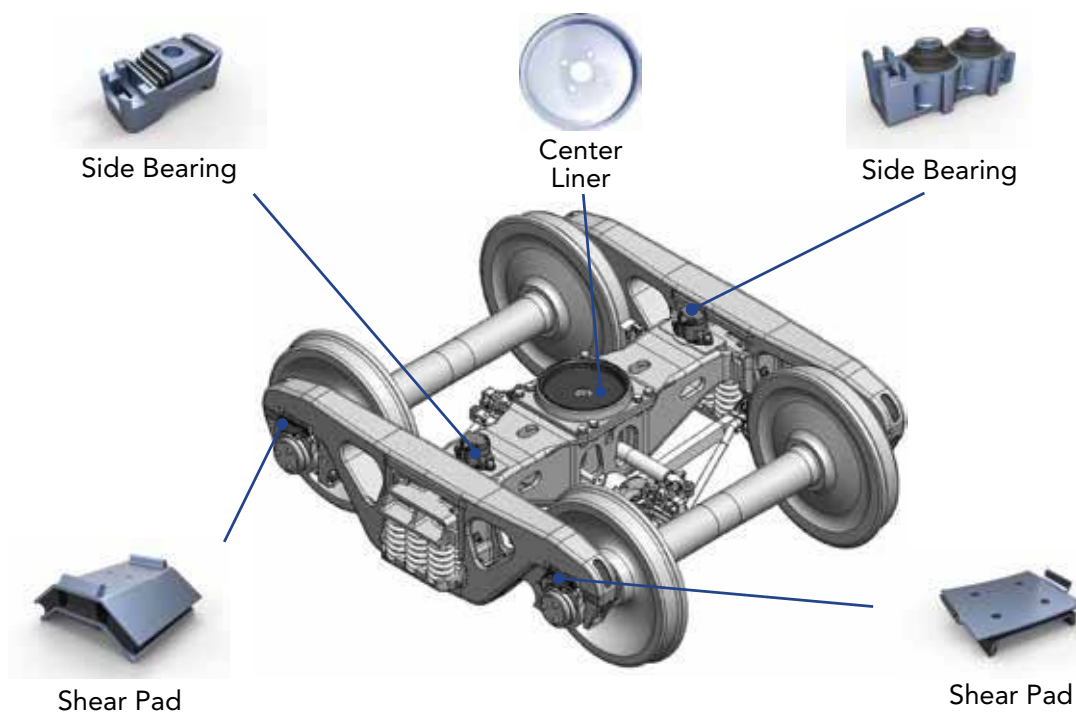
# PASSENGER BOGIE SUSPENSION COMPONENTS



# LOCOMOTIVE BOGIE SUSPENSION COMPONENTS



# FREIGHT WAGON BOGIE SUSPENSION COMPONENTS



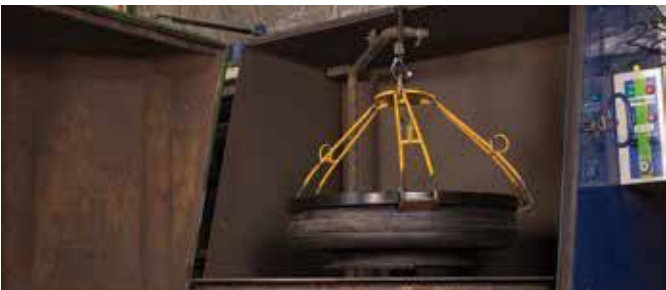




# Air Spring Refurbishment

*Following a refit of our existing warehouse, Delkor Rail now has a facility to refurbish air springs for our customers. Delkor Rail is the only rolling stock supplier to offer an air spring refurbishment program within the Sydney metro area.*

With a turnaround of approximately 48 hours, our experienced engineers will pressure wash, disassemble and check your air springs for excessive wear and tear, before refurbishing, testing and re-assembling the unit.



# Capabilities

Delkor Rail has over 40 years' experience in design & development of polymeric products.

Together, with TMT, Delkor Rail has access to a range of cutting edge, state-of-the-art technology to provide an innovative range of rolling stock solutions to meet the needs and requirements of our clients, worldwide.

## Quality

- ISO9001 and ISO/TS16949:2002 Certified

## Research & Development

- Advanced research facilities using state-of-the-art software for element analysis, dynamic testing, fatigue simulations, and polymer material development
- Testing centre for rubber and plastic elastomeric components

## Production

- A 200,000 sqm production facility with a rubber compound mixing plant allowing for high production rates to meet the delivery demands of clients
- Annual production of 6 million polymer rubber-to-metal components

## Testing

- All products and materials are tested in their raw form and as formulas to ensure the highest quality product performance and reliability
- Accepted worldwide by Australian and various international rail authorities







For further information contact:

Delkor Rail Pty Limited

74 Harley Cres, Condell Park NSW 2200 Australia

Tel: +61 2 9709 2918 Fax: +61 2 9709 5934



[www.delkorrail.com](http://www.delkorrail.com)